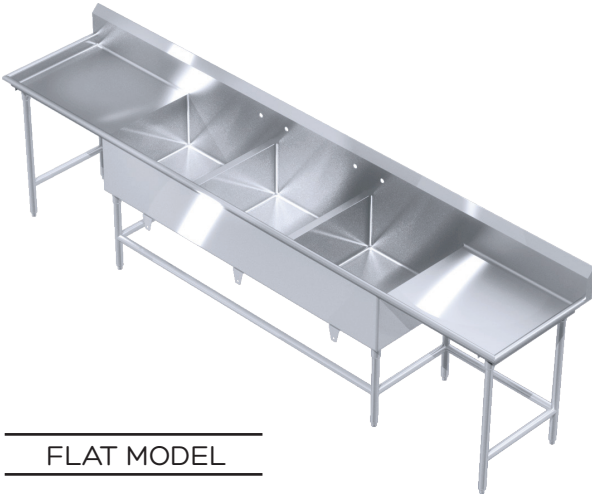


SINKS / INTEGRAL COMPARTMENT SINKS

LAMBERTSON, CONSULTANT SPEC:

Institutional Applications (Schools, Prisons, Hospitals)

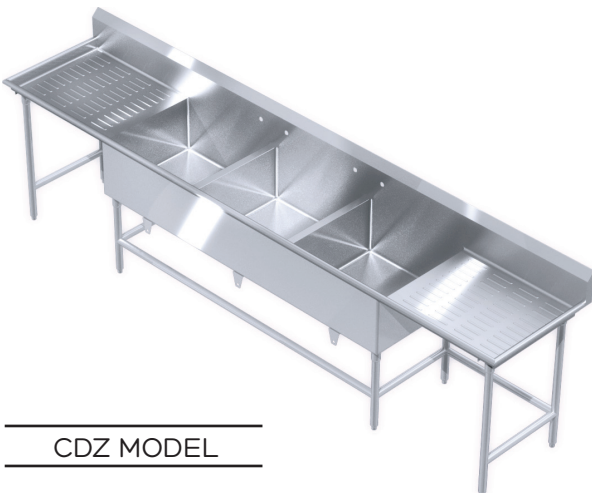


FLAT MODEL

SINKS / INTEGRAL COMPARTMENT SINKS

LAMBERTSON, CONSULTANT SPEC:

Institutional Applications (Schools, Prisons, Hospitals)



CDZ MODEL

SINKS-CL(FS)

14ga Compartment Sink with Double Drainboard-Integral Flat

MODEL #	BOWL: L x W x D	DESCRIPTION	PRICE
CL-2-2026-220-FS	20" x 26" x 15"	Integral 2-Compartment	\$6 757
CL-2-2226-222-FS	22" x 26" x 15"	Integral 2-Compartment	\$7 095
CL-2-2426-224-FS	24" x 26" x 15"	Integral 2-Compartment	\$7 450
CL-2-2626-226-FS	26" x 26" x 15"	Integral 2-Compartment	\$7 822
CL-2-2826-228-FS	28" x 26" x 15"	Integral 2-Compartment	\$8 214
CL-2-3026-230-FS	30" x 26" x 15"	Integral 2-Compartment	\$8 624
CL-3-2026-220-FS	20" x 26" x 15"	Integral 3-Compartment	\$7 214
CL-3-2226-222-FS	22" x 26" x 15"	Integral 3-Compartment	\$7 574
CL-3-2426-224-FS	24" x 26" x 15"	Integral 3-Compartment	\$7 953
CL-3-2626-226-FS	26" x 26" x 15"	Integral 3-Compartment	\$8 351
CL-3-2826-228-FS	28" x 26" x 15"	Integral 3-Compartment	\$8 768
CL-3-3026-230-FS	30" x 26" x 15"	Integral 3-Compartment	\$9 207
CL-4-2026-220-FS	20" x 26" x 15"	Integral 4-Compartment	\$7 801
CL-4-2226-222-FS	22" x 26" x 15"	Integral 4-Compartment	\$8 191
CL-4-2426-224-FS	24" x 26" x 15"	Integral 4-Compartment	\$8 600
CL-4-2626-226-FS	26" x 26" x 15"	Integral 4-Compartment	\$9 030
CL-4-2826-228-FS	28" x 26" x 15"	Integral 4-Compartment	\$9 482
CL-4-3026-230-FS	30" x 26" x 15"	Integral 4-Compartment	\$9 956

SINKS-CL(CS)

14ga Compartment Sink with Double Drainboard-Integral CDZ

MODEL #	BOWL: L x W x D	DESCRIPTION	PRICE
CL-2-2026-220-CS	20" x 26" x 15"	Integral 2-Compartment	\$7 771
CL-2-2226-222-CS	22" x 26" x 15"	Integral 2-Compartment	\$8 159
CL-2-2426-224-CS	24" x 26" x 15"	Integral 2-Compartment	\$8 567
CL-2-2626-226-CS	26" x 26" x 15"	Integral 2-Compartment	\$8 996
CL-2-2826-228-CS	28" x 26" x 15"	Integral 2-Compartment	\$9 446
CL-2-3026-230-CS	30" x 26" x 15"	Integral 2-Compartment	\$9 918
CL-3-2026-220-CS	20" x 26" x 15"	Integral 3-Compartment	\$8 296
CL-3-2226-222-CS	22" x 26" x 15"	Integral 3-Compartment	\$8 710
CL-3-2426-224-CS	24" x 26" x 15"	Integral 3-Compartment	\$9 146
CL-3-2626-226-CS	26" x 26" x 15"	Integral 3-Compartment	\$9 603
CL-3-2826-228-CS	28" x 26" x 15"	Integral 3-Compartment	\$10 083
CL-3-3026-230-CS	30" x 26" x 15"	Integral 3-Compartment	\$10 588
CL-4-2026-220-CS	20" x 26" x 15"	Integral 4-Compartment	\$8 971
CL-4-2226-222-CS	22" x 26" x 15"	Integral 4-Compartment	\$9 419
CL-4-2426-224-CS	24" x 26" x 15"	Integral 4-Compartment	\$9 890
CL-4-2626-226-CS	26" x 26" x 15"	Integral 4-Compartment	\$10 385
CL-4-2826-228-CS	28" x 26" x 15"	Integral 4-Compartment	\$10 904
CL-4-3026-230-CS	30" x 26" x 15"	Integral 4-Compartment	\$11 449