

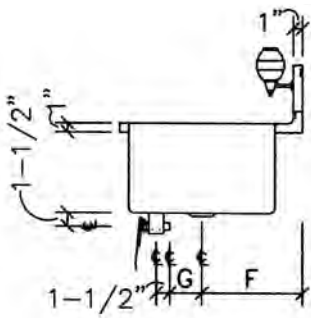
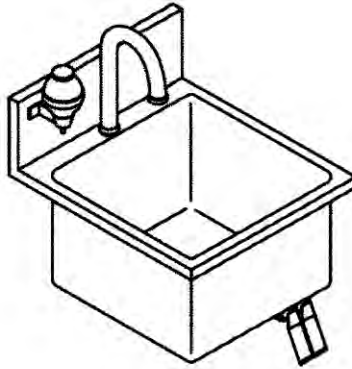


LAMBERTSON INDUSTRIES

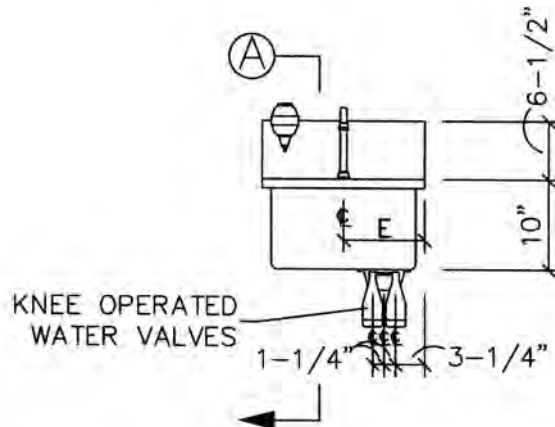
HIGH-QUALITY STAINLESS STEEL

HAND SINK SCHEMATICS

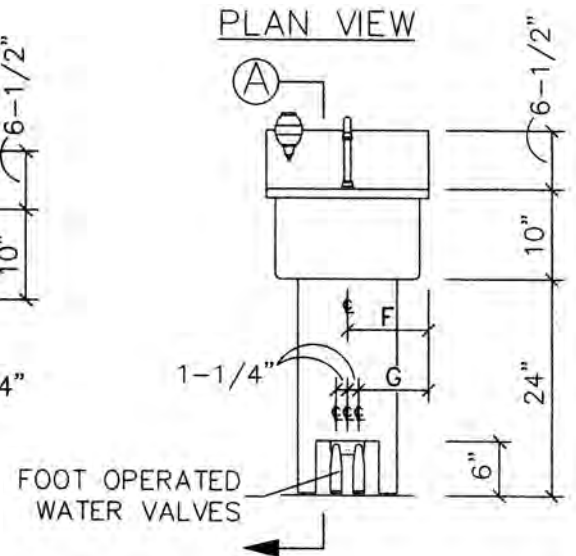
HWS SERIES



PLAN VIEW



SECTION VIEW



ELEVATION VIEW

| MODEL | A | B | C | D | E | F | G | WEIGHT |
|--------|-----|-----|-----|-----|---------|---------|--------|---------|
| HWS-16 | 16" | 16" | 18" | 20" | 9" | 11" | 3-1/2" | 25 LBS. |
| HWS-19 | 19" | 19" | 21" | 23" | 10-1/2" | 12-1/2" | 5" | 30 LBS. |

LAMBERTSON STAINLESS STEEL PRODUCTS ARE  APPROVED AND MEET STANDARD #2-DO21814

1335 ALEXANDRIA COURT
SPARKS, NV 89434

LAMBERTSON INDUSTRIES, INC.
PHONE 775 · 857 · 1100
TOLL-FREE 800 · 548 · 3324
FAX 775 · 857 · 3289

HAND SINK SCHEMATICS - 2

WWW.LAMBERTSON.COM
SALES@LAMBERTSON.COM

