

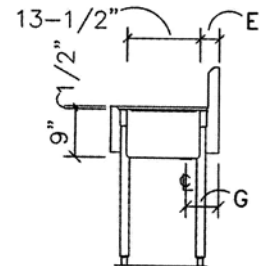
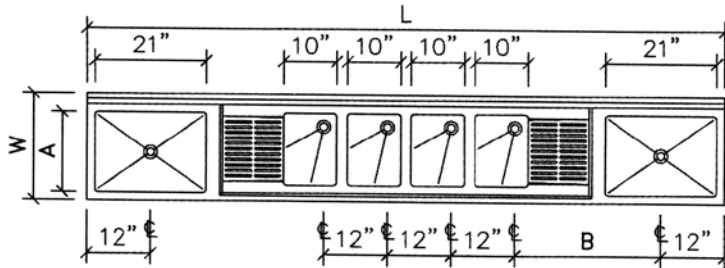
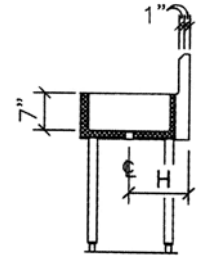
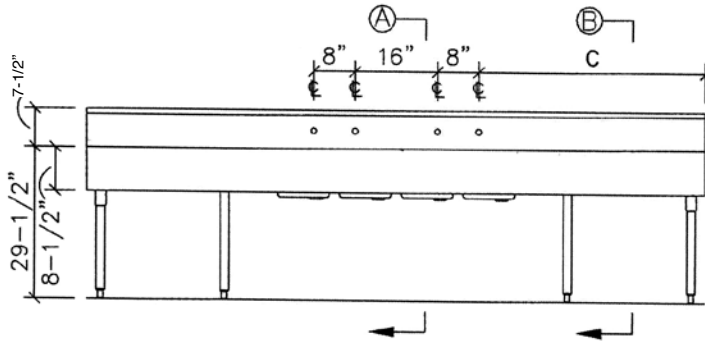
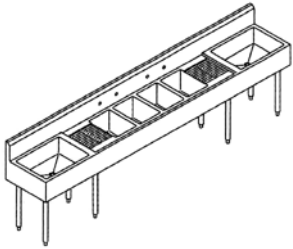


LAMBERTSON INDUSTRIES

HIGH - QUALITY STAINLESS STEEL

BARSINKS SCHEMATICS

FOUR TUB STAR BRIGHT UNDERBAR SINK / COCKTAIL STATION COMBINATIONS



MODEL	L	W	A	B	C	D	E	F	WEIGHT
4SL-6-2D12-2CS24	120"	20"	15"	27-1/2"	44"	3-1/2"	6"	11"	130 LBS.
4SL-6-2D12-2CS24-4	120"	24"	20"	37-1/2"	44"	5-1/2"	8"	13"	140 LBS.
4SL-7-2D18-2CS24	132"	20"	15"	33-1/2"	50"	3-1/2"	6"	11"	140 LBS.
4SL-7-2D18-2CS24-4	132"	24"	20"	33-1/2"	50"	5-1/2"	8"	13"	150 LBS.

NOTES

- ▶ TOP — 16 GAUGE TYPE 304 STAINLESS STEEL WITH INTAGRALLY FORMED BACKSPLASH AND MARINE EDGE AT THREE SIDES ON DRAIN BOARDS.
- ▶ SINK — 16 GAUGE TYPE 304 STAINLESS STEEL ALL WELDED CONSTRUCTION. ALL VERTICAL AND HORIZONTAL CORNERS WITH 5/8" RADIUS COVE. BOTTOM OF TUBS ARE PITCHED TOWARD DIE STAMPED CENTER DRAIN OPENING. TUBS ARE INTEGRALLY WELDED TO TOP.
- ▶ ICE BIN — 16 GAUGE TYPE 304 STAINLESS STEEL ALL WELDED TUB WITH ALL VERTICAL AND HORIZONTAL CORNERS WITH 5/8" RADIUS COVE. BOTTOM OF TUB IS PITCHED TOWARD DIE STAMPED CENTER DRAIN OPENING. TUB IS SURROUNDED BY 1" FIBERGLASS INSULATION WITH GALVANIZED SHELL AT BOTTOM AND ALL SIDES.
- ▶ LEGS — 1-5/8" O.D. 16 GAUGE GALVANIZED STEEL TUBING WITH STAINLESS STEEL LEG GUSSETS AND ADJUSTABLE SANITARY BULLET TYPE FEET.
- ▶ CUSTOM SIZES AND CONFIGURATIONS AVAILABLE.

LAMBERTSON INDUSTRIES • 1335 ALEXANDRIA COURT • SPARKS, NV 89434

PHONE: 775-857-1100 • FAX: 775-857-3289 • TOLL-FREE: 800-548-3324

