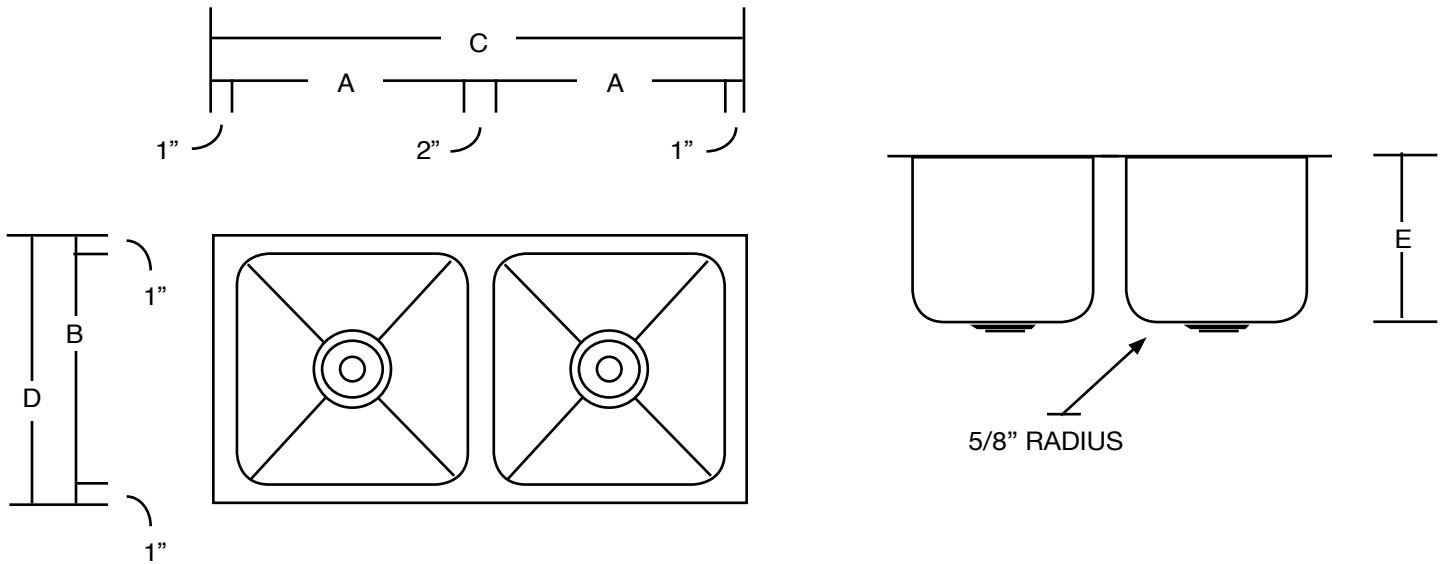




LAMBERTSON INDUSTRIES

HIGH-QUALITY STAINLESS STEEL
UNDERMOUNT SINK SCHEMATICS

DOUBLE COMPARTMENT UNDERMOUNT SINKS 16 GAUGE 304 STAINLESS WITH 3.5" BASKET DRAIN



| MODEL # | A | B | C | D | E |
|-------------------|-----|-----|-----|-----|-----|
| F2-SST-1717-12-16 | 17" | 17" | 38" | 19" | 12" |
| F2-SST-1620-12-16 | 16" | 20" | 36" | 22" | 12" |
| F2-SST-1818-12-16 | 18" | 18" | 40" | 20" | 12" |
| F2-SST-1723-12-16 | 17" | 23" | 38" | 25" | 12" |
| F2-SST-1824-12-16 | 18" | 24" | 40" | 26" | 12" |
| F2-SST-2020-6-16 | 20" | 20" | 44" | 22" | 6" |
| F2-SST-2020-8-16 | 20" | 20" | 44" | 22" | 8" |
| F2-SST-2020-12-16 | 20" | 20" | 44" | 22" | 12" |
| F2-SST-2323-12-16 | 23" | 23" | 50" | 25" | 12" |
| F2-SST-2424-12-16 | 24" | 24" | 52" | 26" | 12" |
| F2-SST-2329-12-16 | 23" | 29" | 50" | 31" | 12" |
| F2-SST-2430-12-16 | 24" | 30" | 52" | 32" | 12" |

LAMBERTSON INDUSTRIES • 1335 ALEXANDRIA COURT • SPARKS, NV 89434

PHONE: 775-857-1100 • FAX: 775-857-3289 • TOLL-FREE: 800-548-3324

