



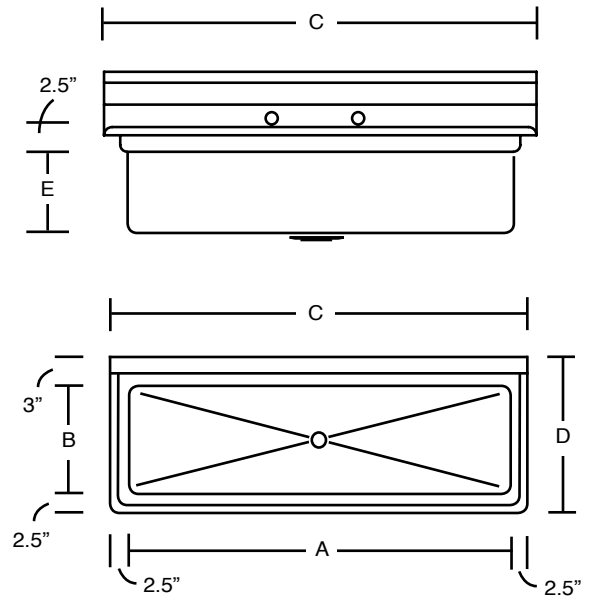
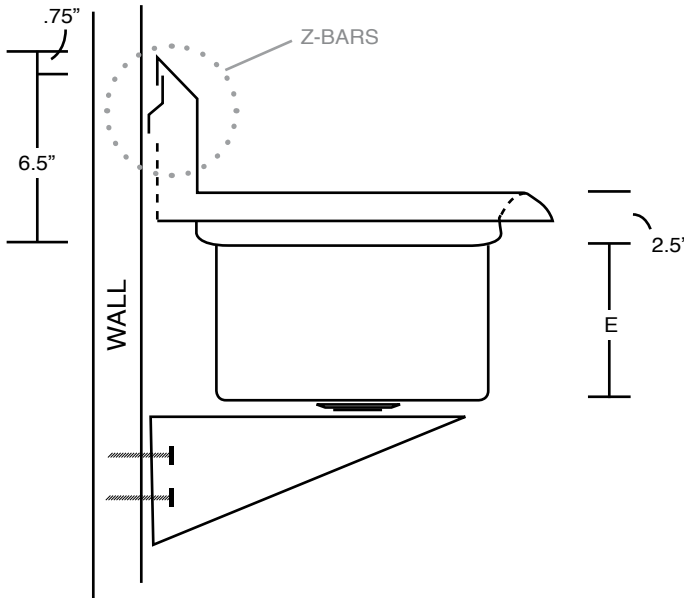
LAMBERTSON INDUSTRIES

HIGH-QUALITY STAINLESS STEEL
— MULTI-USER SINK SCHEMATICS —

MULTI-USER SINK — RADIUS — 14 GAUGE 304 STAINLESS WITH 3.5" BASKET DRAIN

SPECIFICATIONS

- TYPE 304 STAINLESS STEEL
- ALL WELDED CONSTRUCTION
- TUB CORNERS - 5/8" RADIUS COVE
- 3-1/2" DIE STAMPED OPENING(S)
- 3-1/2" BASKET DRAIN INCLUDED



MODEL #	A	B	C	D	E
MUS-LIN-4820-8-14-R	48"	20"	53"	25.5"	8"
MUS-LIN-4820-12-14-R	48"	20"	53"	25.5"	12"
MUS-LIN-6020-8-14-R	60"	20"	65"	25.5"	8"
MUS-LIN-6020-12-14-R	60"	20"	65"	25.5"	12"
MUS-LIN-7220-8-14-R	72"	20"	77"	25.5"	8"
MUS-LIN-7220-12-14-R	72"	20"	77"	25.5"	12"
MUS-LIN-8420-8-14-R	84"	20"	89"	25.5"	8"
MUS-LIN-8420-12-14-R	84"	20"	89"	25.5"	12"
MUS-LIN-9620-8-14-R	96"	20"	101"	25.5"	8"
MUS-LIN-9620-12-14-R	96"	20"	101"	25.5"	12"

LAMBERTSON INDUSTRIES • 1335 ALEXANDRIA COURT • SPARKS, NV 89434

PHONE: 775-857-1100 • FAX: 775-857-3289 • TOLL-FREE: 800-548-3324

