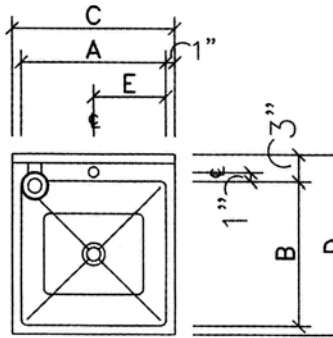
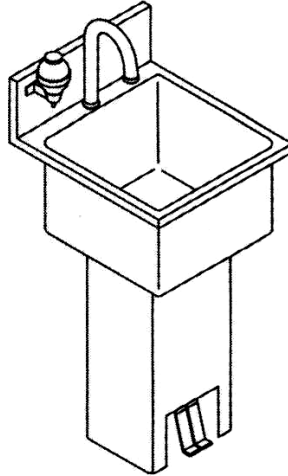




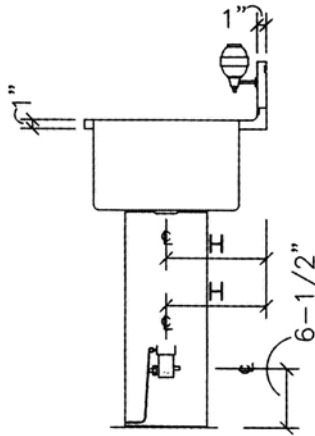
LAMBERTSON INDUSTRIES

HIGH-QUALITY STAINLESS STEEL
HAND SINK SCHEMATICS

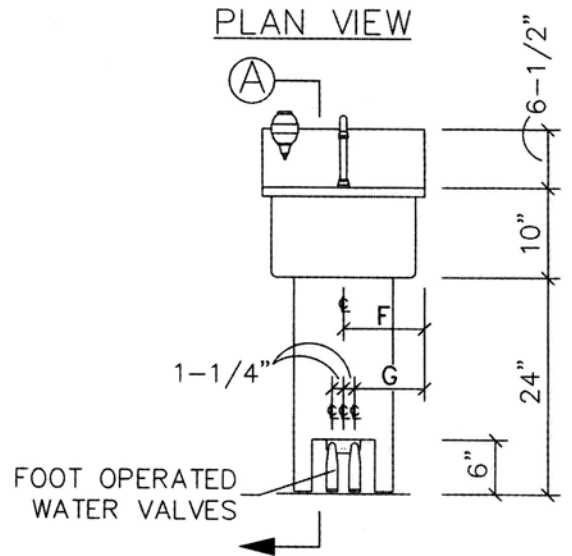
HFS SERIES



PLAN VIEW



SECTION VIEW



ELEVATION VIEW

MODEL	A	B	C	D	E	F	G	H	WEIGHT
HFS-16	16"	16"	18"	20"	8"	9"	7-1/2"	11"	40 LBS.
HFS-19	19"	19"	21"	23"	9-1/2"	10-1/2"	9-1/4"	12-1/2"	45 LBS.

LAMBERTSON STAINLESS STEEL PRODUCTS ARE  APPROVED AND MEET STANDARD #2-DO21814

LAMBERTSON INDUSTRIES • 1335 ALEXANDRIA COURT • SPARKS, NV 89434

PHONE: 775-857-1100 • FAX: 775-857-3289 • TOLL-FREE: 800-548-3324

