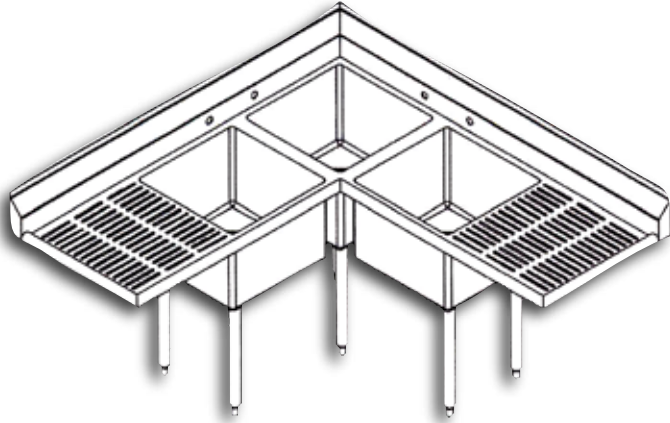




LAMBERTSON INDUSTRIES

H I G H - Q U A L I T Y S T A I N L E S S S T E E L

ECONOMY LINE SINKS THREE TUB CORNER w/DRAIN BOARD



SPECIFICATIONS:

TOPS— 18-gauge, type 304 stainless steel, with integrally formed backsplash and sanitary roll on three sides. Backsplashes are pre-punched for required faucet holes. Drainboards are corrugated die-stamped (CDZ™ Corrugated Dry Zone) and pitched toward the sink. All joints are seam welded and all visible welds are ground smoothed and polished.

TUBS— 18-gauge, type 304 stainless steel with 3-1/2" die-stamped center drain openings. All vertical and horizontal corners minimal 5/8" radius cove. Tubs are integrally welded on tops.

LEGS— Removable 1-5/8" O.D. galvanized iron tubing legs with welded gussets and adjustable sanitary bullet-type feet. **Stainless steel legs and adjustable sanitary bullet-type feet available upon request.**

MECHANICAL:

- Water supply is 1/2" IPS Hot and Cold.
- Faucet holes are on standard 8" centers.
- Faucet height is 36-1/2" from floor.
- Waste drains are 1-1/2" IPS. Stainless Steel. 3-1/2" Basket drains are included.
- All dimensions are typical TOL ± .500

Faucets are not included

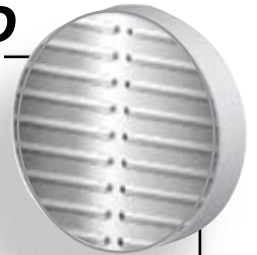
FEATURES:

- New **CDZ™ Corrugated Dry Zone**
- All one-piece welded construction
- Radius die-stamped tub bottom for better drainage
- All drainboards have integral backsplashes
- Gussets located on sink and tubs for greater support
- Turned up backsplash
- Tubs with a depth of 14", 16" and 18" are available upon request

CUSTOM SINKS

AVAILABLE UPON REQUEST!

CORRUGATED DRY ZONE™



MEETS OR EXCEEDS ALL HEALTH STANDARDS

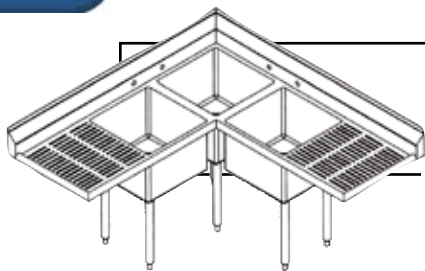
REDUCES BACTERIA AND ODOR

ALLOWS AIR AND WATER TO FLOW UNDER ALL WASHABLE ITEMS ELIMINATING SUCTION AND CROSS-CONTAMINATION.

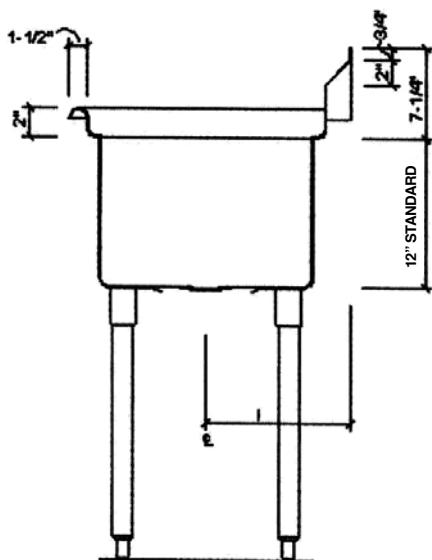
LAMBERTSON INDUSTRIES • 1335 ALEXANDRIA COURT • SPARKS, NV 89434

PHONE: 775-857-1100 • FAX: 775-857-3289 • TOLL-FREE: 800-548-3324

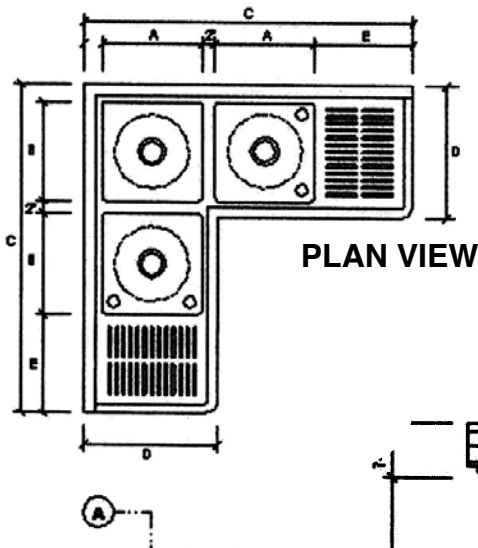




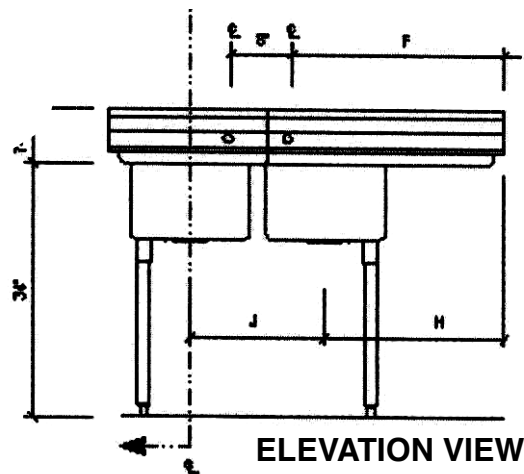
ECONOMY LINE SCHEMATICS THREE TUB CORNER / WITH DRAINBOARD



SECTION VIEW



PLAN VIEW



ELEVATION VIEW

3-TUB CORNER WITH DRAINBOARD

MODEL	WEIGHT	A	B	C	D	E	F	G	H	I	J
EL-3-LIN-LC-12-2D12	100 LBS.	12"	12"	41"	17½"	12"	21"	N/A	18"	9"	14"
EL-3-LIN-LC-12-2D18	105 LBS.	12"	12"	47"	17½"	18"	27"	N/A	24"	9"	14"
EL-3-LIN-LC-12-2D20	110 LBS.	12"	12"	49"	17½"	20"	29"	N/A	26"	9"	14"
EL-3-LIN-LC-12-2D24	115 LBS.	12"	12"	53"	17½"	24"	33"	N/A	30"	9"	14"
EL-3-LIN-LC-17-2D18	130 LBS.	17"	17"	57"	22½"	18"	32"	N/A	26½"	11½"	19"
EL-3-LIN-LC-20-2D20	160 LBS.	20"	20"	65"	25½"	20"	37"	N/A	30"	13"	22"
EL-3-LIN-LC-23-2D24	180 LBS.	23"	23"	75"	24½"	24"	44"	N/A	35½"	14½"	25"

