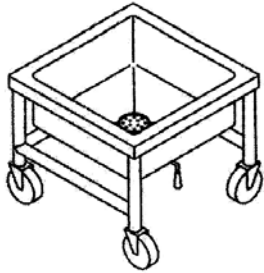




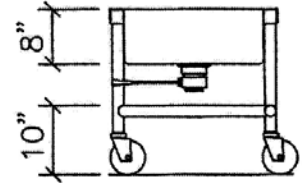
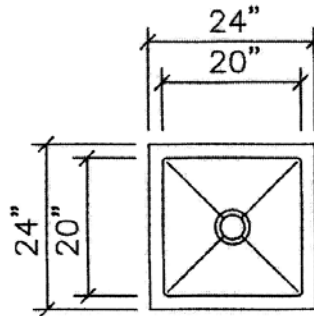
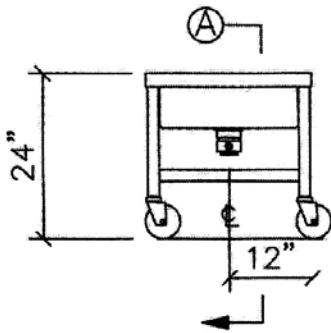
LAMBERTSON INDUSTRIES

HIGH-QUALITY STAINLESS STEEL

DISHTABLE SCHEMATICS



SILVER SOAK SINK



MODEL	WEIGHT
1-NSF-2020-SSS	60 LBS.

NOTES

- ▶ TOP — 16 GAUGE TYPE 304 STAINLESS STEEL WITH 2" TURN DOWN ON ALL SIDES.
- ▶ SINK — 16 GAUGE TYPE 304 STAINLESS STEEL CONSTRUCTION. ALL VERTICAL AND HORIZONTAL CORNERS WITH 5/8" RADIUS COVE. BOTTOM OF TUB IS PITCHED TOWARD DIE STAMPED CENTER DRAIN OPENING. SINK IS INTEGRALLY WELDED TO TOP.
- ▶ PROVIDED WITH LEVER WASTE DRAIN FITTING BY LAMBERTSON.
- ▶ LEGS — 1-5/8" O.D. TYPE 304 STAINLESS STEEL TUBING WITH STAINLESS STEEL LEG GUSSETS AND 5" NON MARKING LOCKING CASTERS.
- ▶ CROSSBRACING — 1" O.D. STAINLESS STEEL TUBING WELDED TO LEGS.

LAMBERTSON INDUSTRIES • 1335 ALEXANDRIA COURT • SPARKS, NV 89434

PHONE: 775-857-1100 • FAX: 775-857-3289 • TOLL-FREE: 800-548-3324

